

Low Power Splitters

174 – 230 MHz

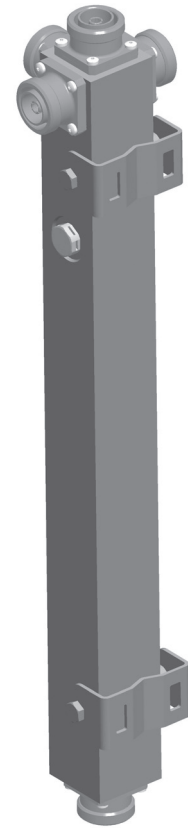
470 – 862 MHz

174 – 230 MHz

Order No.	768334	768335	768336
Connector	7-16 female		
Max. power (at 50 °C ambient temp.)	2 kW		
Number of outputs	2	3	4
Frequency range	174 – 230 MHz		
Impedance	50 Ω		
VSWR	< 1.07		
Insertion loss	< 0.05 dB		
Max. size	800 / 82 / 82 mm		

470 – 862 MHz

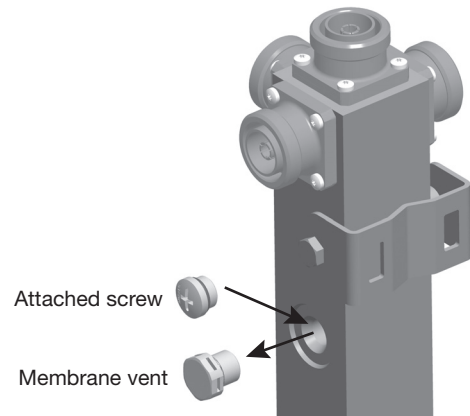
Order No.	768331	768332	768333
Connector	7-16 female		
Max. power (at 50 °C ambient temp.)	1 kW		
Number of outputs	2	3	4
Frequency range	470 – 862 MHz		
Impedance	50 Ω		
VSWR	< 1.07		
Insertion loss	< 0.05 dB		
Max. size	520 / 82 / 82 mm		



768333

Material: Case: Aluminum.
Inner conductor: Brass.

Mounting: Bracket included for wall mounting.
May be attached to tubular masts using clamps listed below (please order separately).



Attention:
If the power splitter shall be operated pressurized, the membrane vent which is being installed must be replaced by the attached screw.



Order No.	Description	Remarks
736801	1 clamp	Mast: 34 – 60 mm diameter
736802	1 clamp	Mast: 60 – 80 mm diameter
736803	1 clamp	Mast: 80 – 100 mm diameter
736804	1 clamp	Mast: 100 – 120 mm diameter
736805	1 clamp	Mast: 120 – 140 mm diameter

936.1177/c Subject to alteration.