

House connection amplifier

VOS 32/F

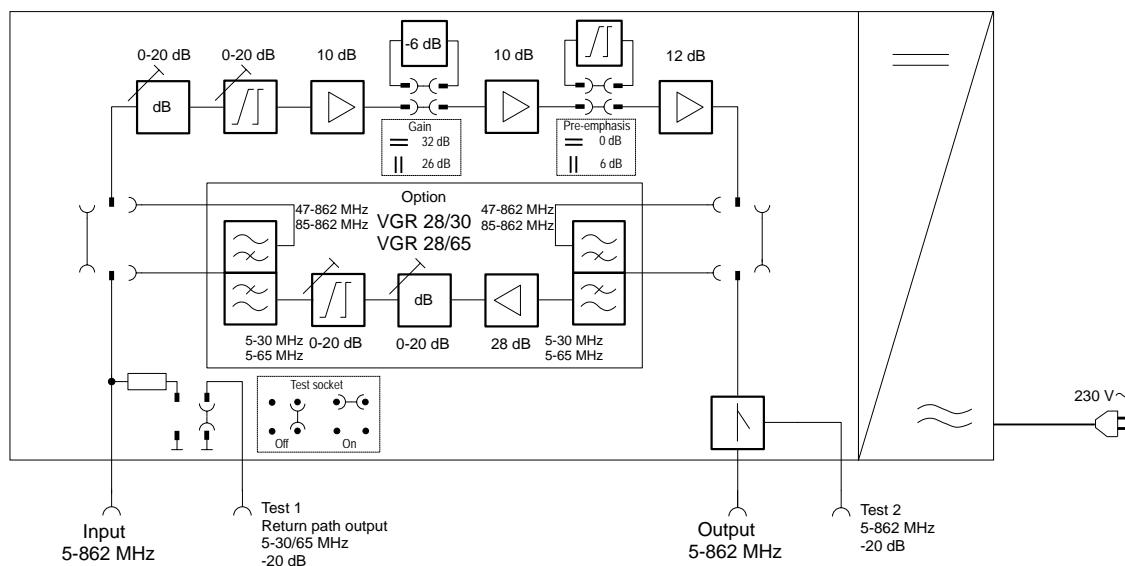
20910020



Features

- House connection amplifier for modern HFC networks
- With integrated power supply unit
- Diecast housing with F-type connectors
- LED to indicate operational mode
- Variable interstage gain setting using on-board plug-in attenuators (delivery status: 32 dB gain)
- The maximum operational levels also apply for interstage attenuation
- Interstage equaliser (6 dB) connectable with bridging plugs (pre-emphasis)
- Return path optional, individually fittable:
 - 5-30 MHz with VGR 28/30
 - 5-65 MHz with VGR 28/65
 (Delivery conditions: without return path amplifier, with bridging plug)
- Integrated variable attenuator and adjustable equaliser
- Test socket on output -20 dB (with directional coupler)
- Test socket on input -20 dB (connectable with bridging plug) for return path levelling
- Conforms to: EN 60728-11, EN 50083-2 and EN 60065
- For indoor installation

Block diagram



Technical data

| Type | | VOS 32/F |
|--|-----------------|------------------------|
| Order no. | | 20910020 |
| Forward path | | |
| Frequency range | MHz | 47 (85)-862 |
| Gain (switchable) | dB | 26/32 |
| Amplitude deviation | dB | ± 1.5 |
| Setting range variable attenuator | dB | 0-20 |
| Setting range equaliser | dB | 0-20 |
| Setting range interstage attenuation (switchable with bridging plug) | dB | 0/6 |
| Setting range interstage equaliser (switchable with bridging plug) | dB | 0/6 |
| Max. operational level ¹⁾ (60 dB CTB/CSO) | | |
| - flat | dB μ V | 100/100 |
| - with 6 dB interstage pre-emphasis | dB μ V | 102/102 |
| Noise figure (interstage attenuation 6/0 dB) | dB | 7/6 |
| Number of outputs | | 1 |
| Return path | | |
| | | See data for VGR 28/xx |
| General | | |
| Impedance input/output | Ω | 75 |
| Return loss input/output ²⁾ | dB | 14 |
| RF connections | | F-type connector |
| Test socket output with directional coupler (5-862 MHz) | dB | -20 |
| Test socket output return path (5-65 MHz) | dB | -20 |
| Supply voltage | V _{AC} | 198-253 |
| Power consumption (without/with return path amplifier) | W | 4/5 |
| Operational display | | Green LED |
| Protection class | | II |
| Protection category (to EN 60529) | | IP 50 |
| Temperature range | °C | -20 to +55 |
| Dimensions | mm | 184 x 134 x 63 |
| Packing unit/weight | pc./kg | 1 (10)/1.7 |

¹⁾ According to EN 60728-3; CENELEC raster 42 carriers, the level values also apply for interstage attenuation

²⁾ According to EN 60728-3 (category C); starting 40 MHz \geq 14 dB -1.5 dB/octave, but \geq 10 dB