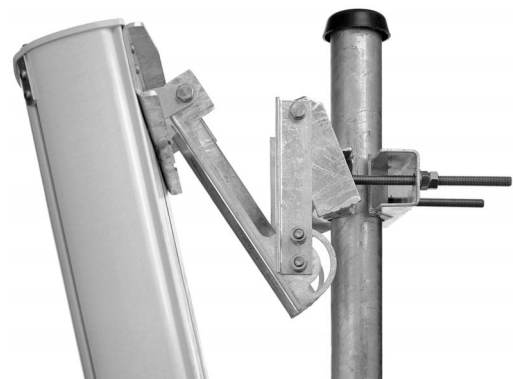


Panels VPol / XPol Mounting Accessories

Panels width 560 mm or 112 and 155 mm (height < 1.4 m)

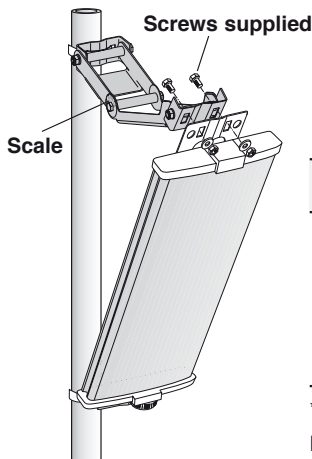
Downtilt kits for XPol 30° width 560 mm

Antenna height	Downtilt angle	Type No.	Weight
656 mm	0 – 33°	733 695	3.4 kg
1296 mm	0 – 16°		
2580 mm	0 – 8°		



Downtilt kit 733 695

Downtilt Kits with Type No. 732 ... are suitable for Panels width 112 mm and 155 mm height < 1.4 m

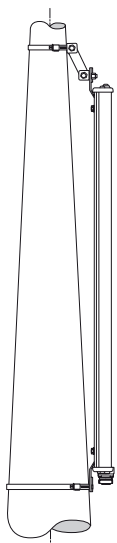


Use the downtilt kit together with the clamps (see page 189).

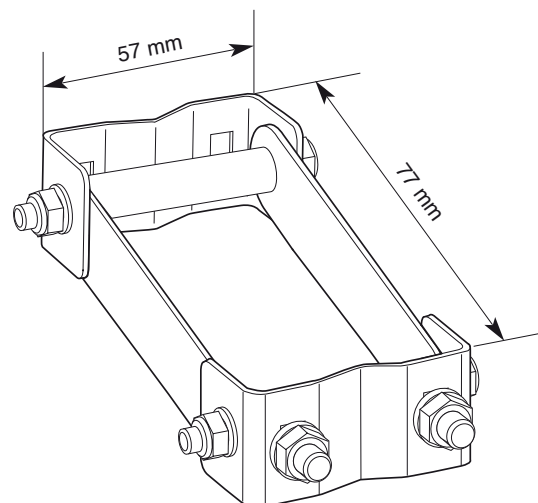
Antenna height	Downtilt angle	Downtilt kit with scale	Downtilt kit without scale*	Weight
		Type No.	Type No.	
342 mm	0° – 40°	–		approx. 1.0 kg
502 mm	0° – 25°	732 322		
662 mm	0° – 20°	732 321	732 327	
982 mm	0° – 14°	732 318		
1302 mm	0° – 10°	732 317		

* Instructions to adjust the required downtilt angle are given in the datasheet or on the rearside of the antenna.
Mounting a downtilt kit enlarges the spacing between mast and antenna by 42 mm.

Slant Compensation Kit Type No. 732 319 for Panels width 112 mm and 155 mm



Use the slant compensation kit type no. 732 319 together with the clamps (see page 189).



Weight: appr. 200 g