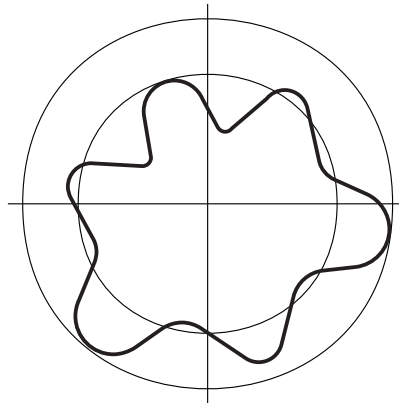
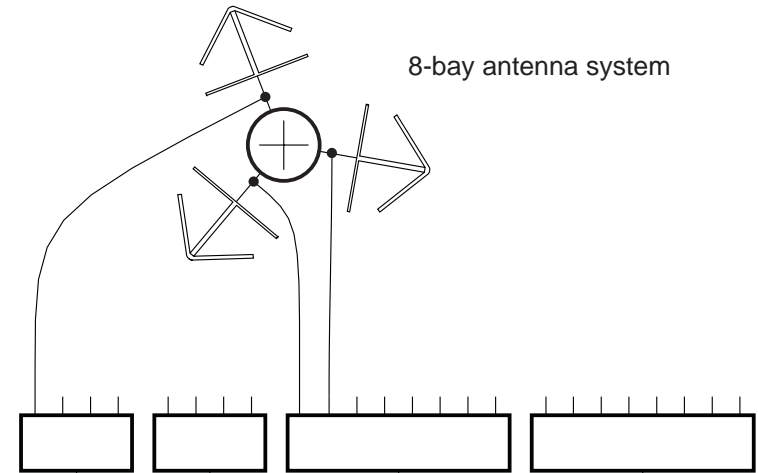


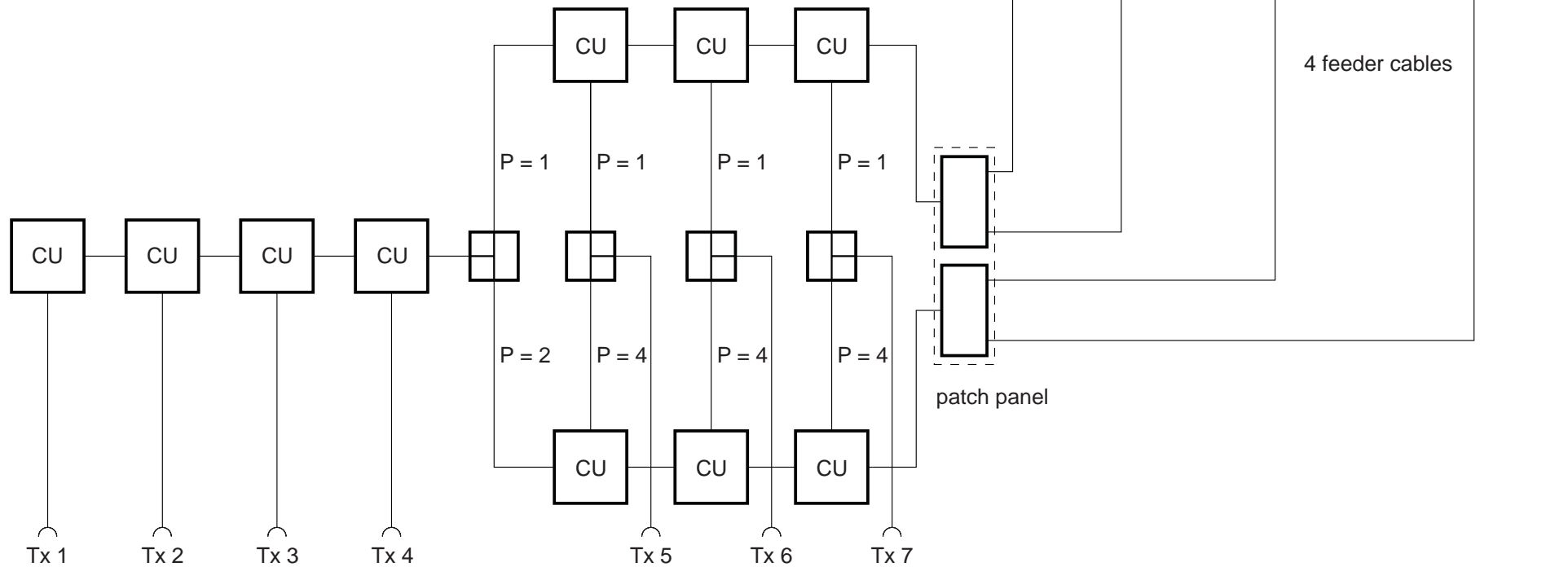
pattern 1



pattern 2



8-bay antenna system



CU = combiner unit