

# Power Splitter

## 100 – 156 MHz / 225 – 400 MHz

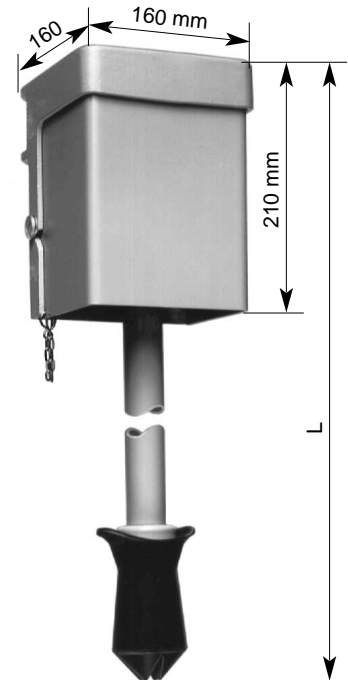
### K 62 55 31, K 62 56 3., K 62 57 3., K 63 55 11

Power Splitters for low-loss connection of several antennas:

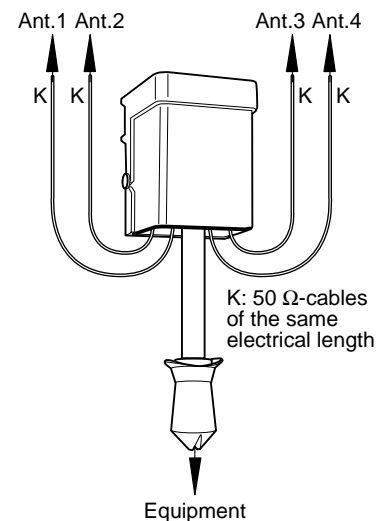
| Frequency-range<br>MHz | For connecting<br>... antennas | Length L<br>approx.<br>mm | Max.<br>power *)<br>Watt | Type No. for female connection<br>(equipment and antenna side) |            |
|------------------------|--------------------------------|---------------------------|--------------------------|--|------------|
|                        |                                |                           |                          | 7-16   | N          |
| 100 – 156              | 2                              | 660                       | 630                      |  | K 62 55 31 |
|                        | 3                              | 720                       | 420                      | K 62 56 3  | K 62 56 31 |
|                        | 4                              | 760                       | 430                      | K 62 57 3  | K 62 57 31 |
| 225 – 400              | 2                              | 870                       | 750                      |  | K 63 55 11 |

\*) at 50 °C ambient temperature

|                   |   |
|-------------------|---|
| Impedance:        | 50 Ω  |
| Input and output: | N female or 7-16 female connector.  |
| VSWR:             | < 1.15  |
| Insertion loss:   | < 0.05 dB (of the transformation line)  |
| Material:         | Protective case on the antenna side: Cast aluminum.<br>Weather protection on the equipment side: UV-resistant elastomere.<br>Transformation tube: Aluminum and brass.<br>All parts are protected with paint.<br>All screws and nuts: Stainless steel. |
| Mounting:         | On tubular masts of 60 – 320 mm by means of stainless steel tightening band 1020 x 20 x 1 mm, supplied.<br>Transformers with a total length of more than 700 mm are delivered with a supporting clamp.  |



Example of 4-way antenna transformer

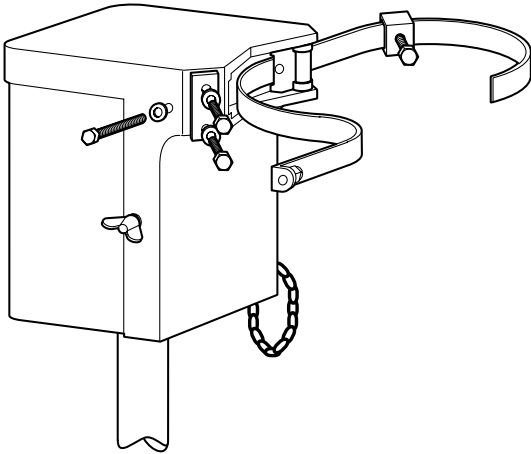


# Mounting Instruction Power Splitter

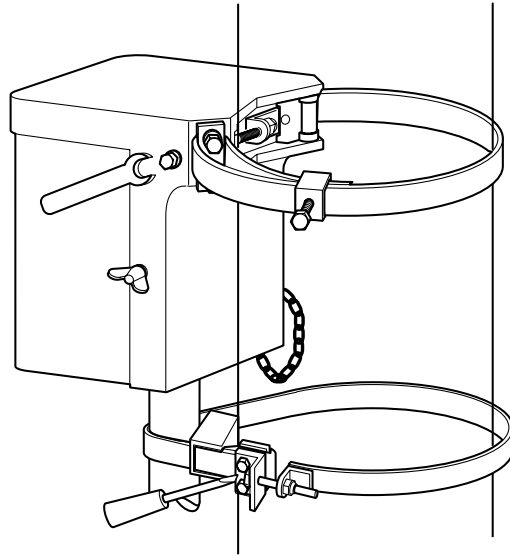
K 62 55 31, K 62 56 3., K 62 57 3., K 63 55 11

**KATHREIN**  
Antennen · Electronic

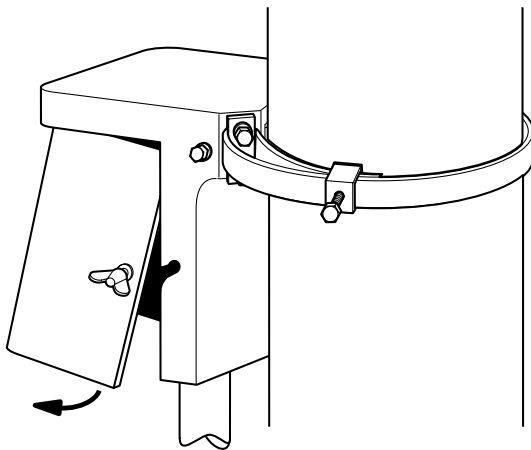
1



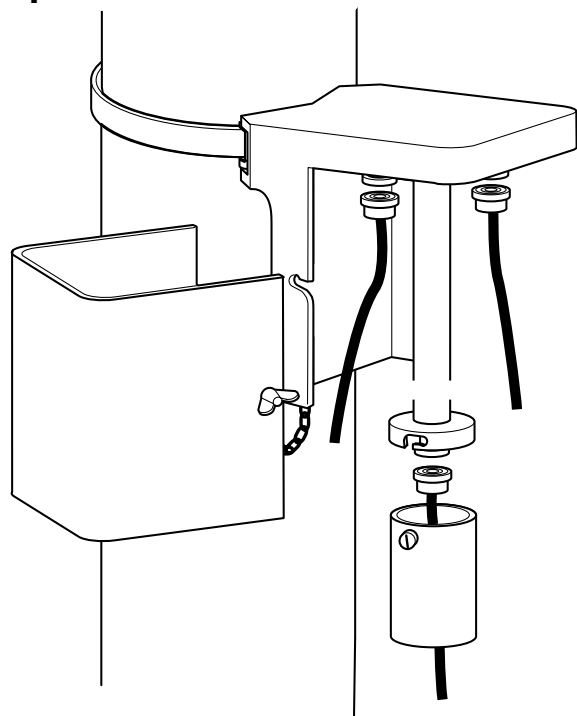
2



3



4



9985.608b/0704/0.5/ZW/HA Subject to alteration.