

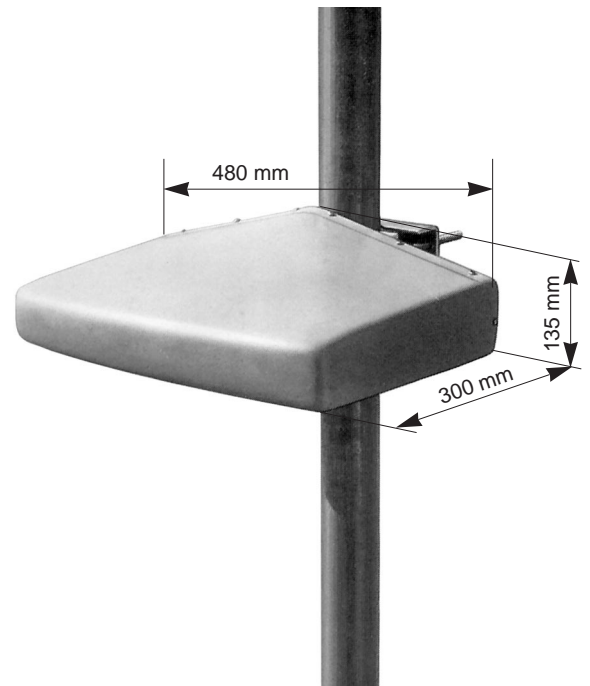
# Monitor-Antenna

## 328 – 336 MHz

### 715 630

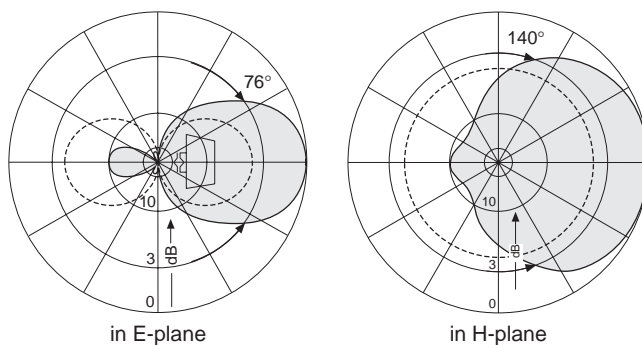
#### Half wave dipole in front of a reflector screen in a fiberglass radome

Type No.	715 630
Input	N female connector in a weather protective rubber cap directly at the antenna
Connector position	Rearside
Frequency range	328 – 336 MHz
VSWR	< 1.3
Gain	4 dB (ref. to the half wave dipole)
Impedance	50 $\Omega$
Polarization	Horizontal
Max. power	60 Watt (at 50 °C ambient temperature)
Weight	4.3 kg
Wind load	140 N (at 160 km/h)
Max. wind velocity	200 km/h (incl. 1/2" radial ice)
Height/width/depth	300 / 480 / 135 mm



- Material:** Radiators: Heavy duty aluminum.  
Reflector screen: High strength aluminum alloy sheet. Radome: Impact-resistant fiberglass.  
Hot dip galvanized steel clamps.  
All screws and nuts: Stainless steel.
- Ice protection:** The rugged, impact-resistant fiberglass radome keeps the electrical characteristics, even under heaviest icing, nearly constant.
- Mounting:** To pipes of 60 – 120 mm OD by means of hot dip galvanized steel clamp, supplied.
- Grounding:** The antenna is DC grounded by a cross section of 304 mm<sup>2</sup> aluminum.
- Scope of supply:** Antenna including mounting hardware.

#### Radiation Pattern (at mid-band)



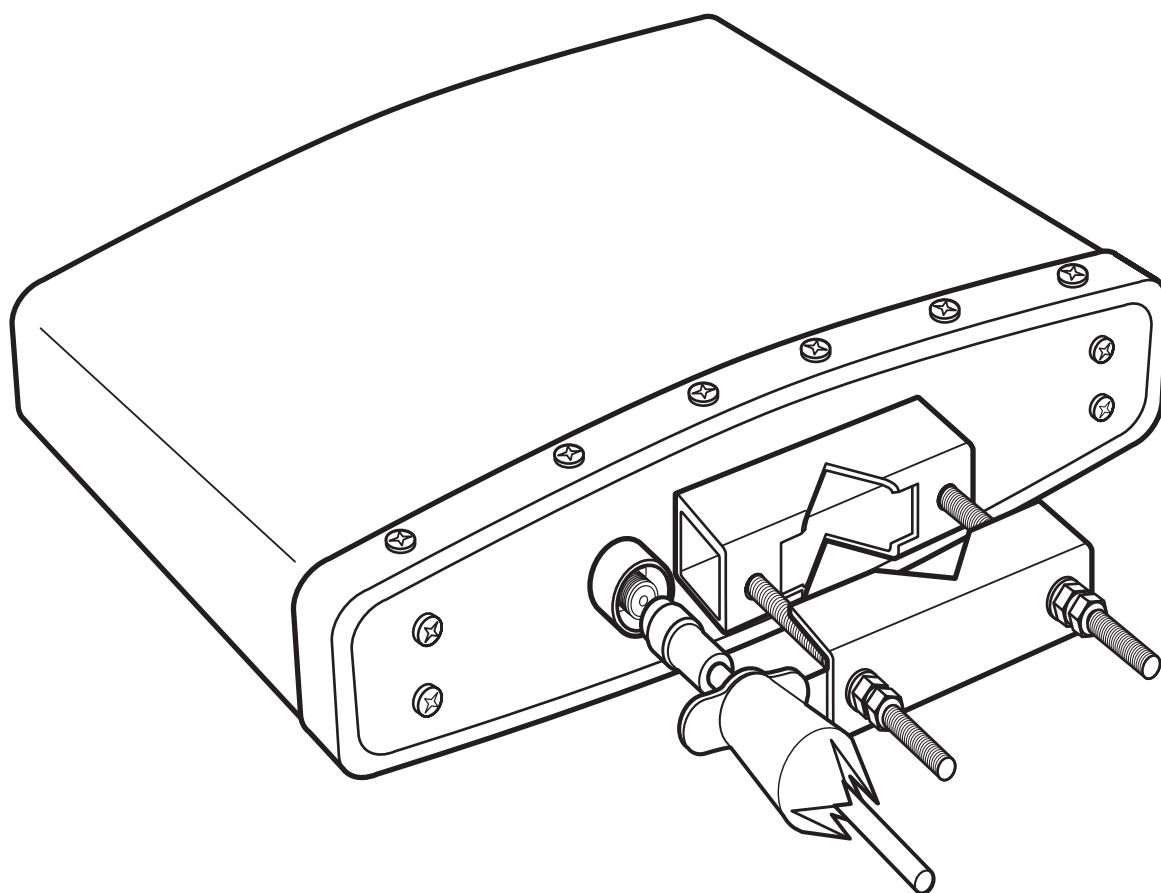
# Mounting Instruction

## Monitor-Antenna

### 715 630

---

**KATHREIN**  
Antennen · Electronic



9985.592/0898/0.5/ZW/HA Subject to alteration.