

# Offset Pattern High Gain Antenna

## 225 – 400 MHz

### K 75 32 11

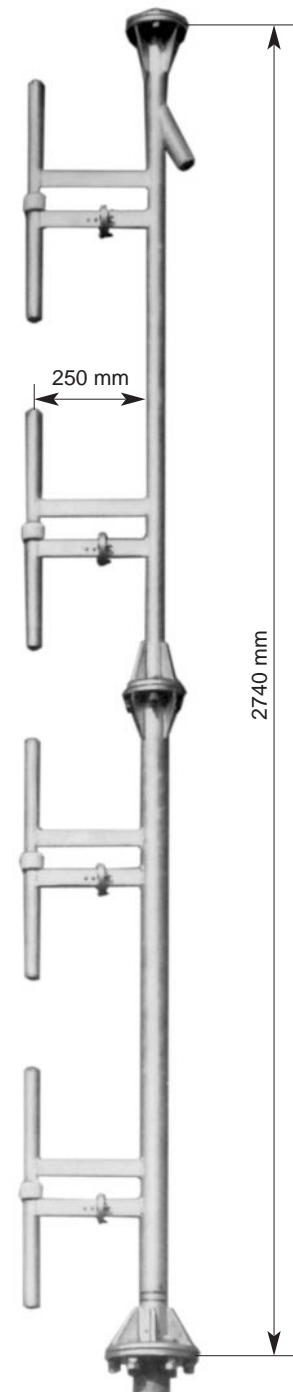
**8 dB offset pattern antenna.**  
**Hot dip galvanized steel.**

Type No.	K 75 32 11
Input	N female connector inside of the mounting flange
Frequency range	225 – 400 MHz
VSWR	< 1.7
Gain (ref. $\lambda/2$ dipole)	8 dB
Impedance	50 $\Omega$
Polarization	Vertical
Max. Power	300 Watt (at 50 °C ambient temperature)
Weight	40 kg
Windload	450 N (at 160 km/h)
Max. wind velocity	200 km/h (incl. $1/2''$ radial ice)
Packing size	2800 x 400 x 200 mm
Antenna height	2740 mm
Distance dipole/mast	250 mm

**Material:** Hot dip galvanized steel.  
All screws and nuts: Stainless steel.

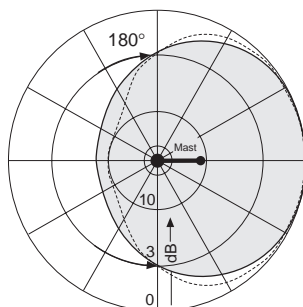
**Mounting:** Via standard flange 190 mm diameter.  
The upper flange is suitable for installation of an obstruction light.

**Grounding:** All metal parts of the antenna including the mounting kit are DC grounded.

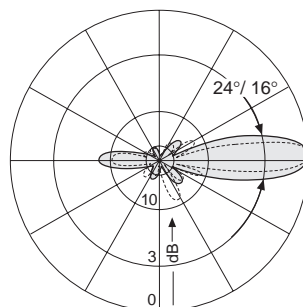


#### Radiation Pattern (at mid-band)

— 225 MHz ..... 400 MHz



Horizontal Pattern



Vertical Pattern

# Mounting Instruction

## Offset Pattern High Gain Antenna

### K 75 32 11

