

Directional Antenna

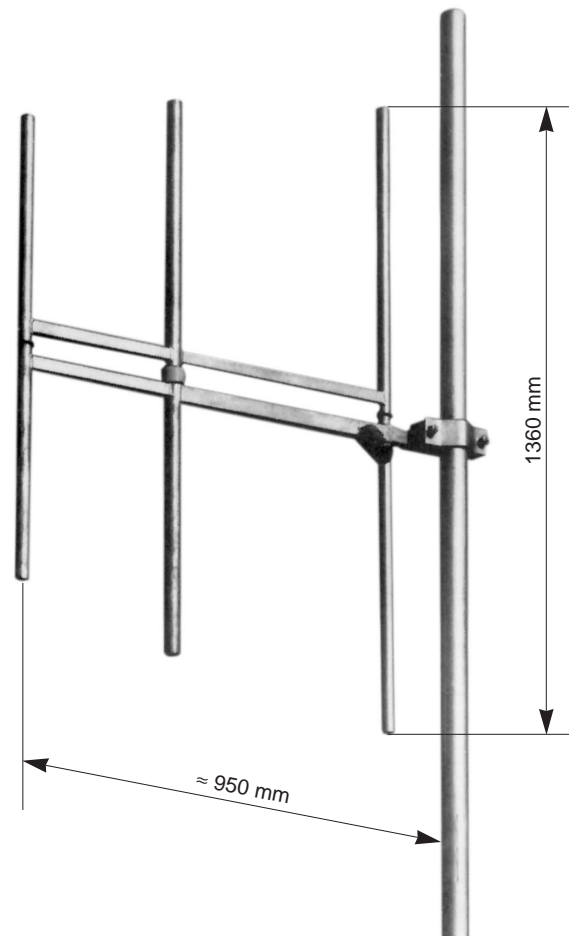
118 – 144 MHz

K 53 18 31

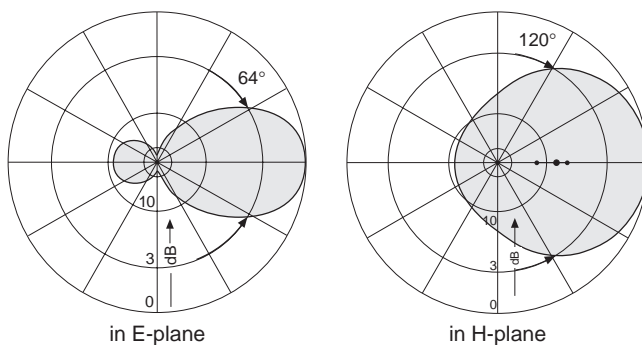
3-element broadband-yagi, 4dB gain, hot dip galvanized steel

Type No.	K 53 18 31
Input	N female connector in a weather protective housing directly at the antenna
Frequency range	118 – 144 MHz
VSWR	< 1.5
Gain (ref. $\lambda/2$ dipole)	4 dB
Impedance	50 Ω
Polarization	Usable for horizontal or vertical polarization
Max. Power	160 Watt (at 50 °C ambient temperature)
Weight	10 kg
Windload	250 N (at 160 km/h)
Max. wind velocity	200 km/h (incl. $\frac{1}{2}$ " radial ice)
Packing size	1500 x 1150 x 90 mm
Antenna height	1360 mm

- Material:** Hot dip galvanized steel.
All screws and nuts: Stainless steel.
- Mounting:** To pipes of 60 – 115 mm OD by means of hot dip galvanized steel clamp, supplied.
- Grounding:** The antenna is DC grounded by a cross section of 256 mm² hot dip galvanized steel.
- Scope of supply:** Antenna including mounting hardware.

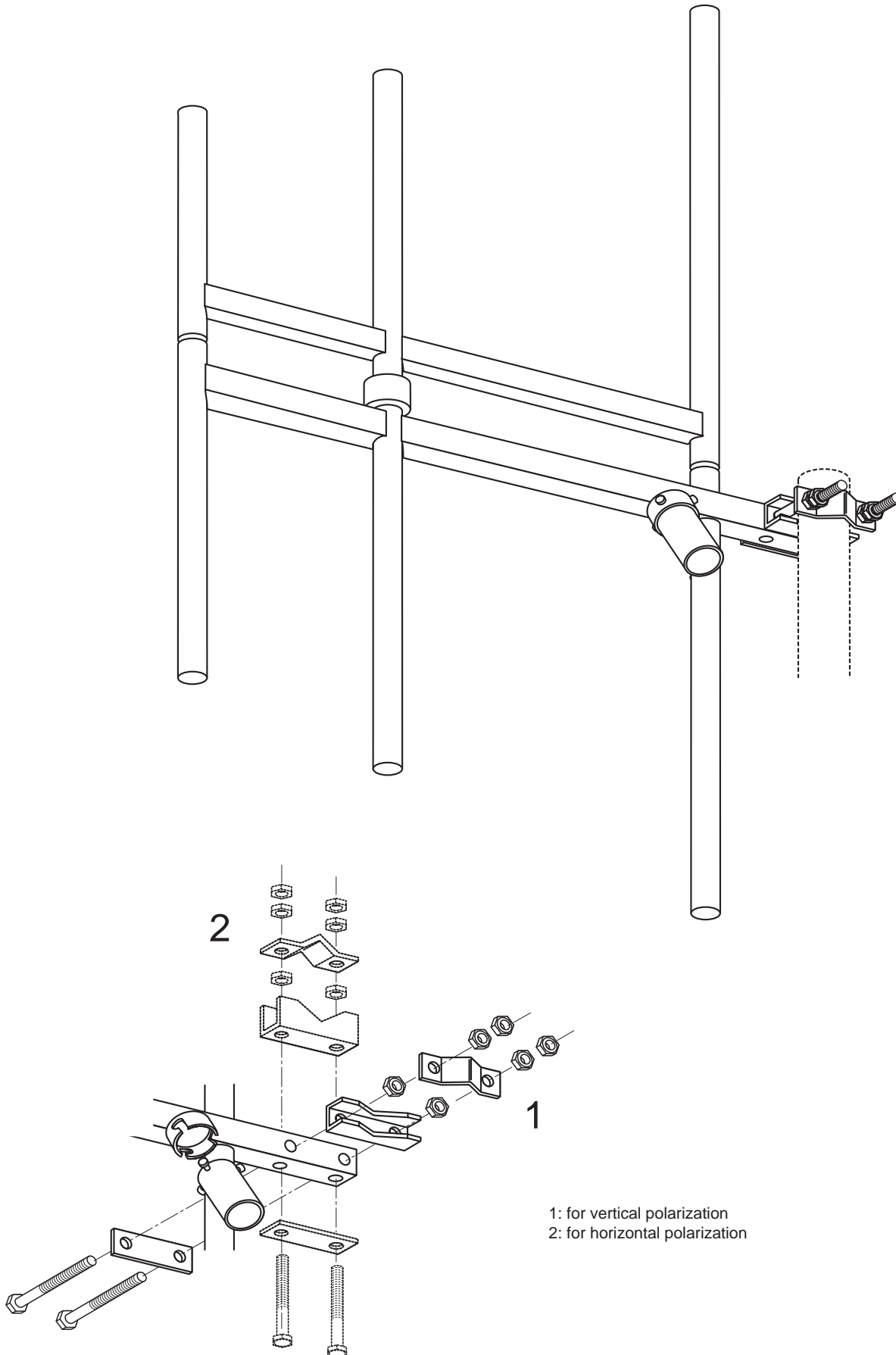


Radiation Pattern (at mid-band)



Mounting Instruction Directional Antenna K 53 18 31

KATHREIN
Antennen · Electronic



1: for vertical polarization
2: for horizontal polarization

9985.585/0898/0.5/ZW/HA Subject to alteration.