

Offset Pattern High Gain Antenna

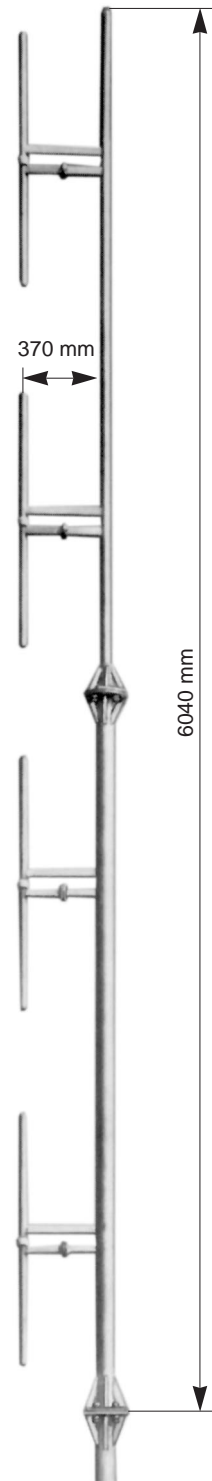
118 – 144 MHz

K 55 32 31

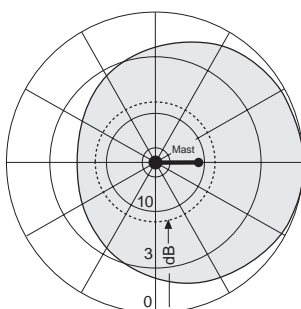
8 dB offset pattern antenna.
Hot dip galvanized steel.

Type No.	K 55 32 31
Input	N female connector inside of the mounting flange
Frequency range	118 – 144 MHz
VSWR	< 1.5
Gain (ref. $\lambda/2$ dipole)	8 dB
Impedance	50 Ω
Polarization	Vertical
Max. Power	220 Watt (at 50 °C ambient temperature)
Weight	54 kg
Windload	950 N (at 160 km/h)
Max. wind velocity	
w/o ice	170 km/h
$1/2$ " radial ice	135 km/h
Packing size	2 pcs.: 3600 x 510 x 200 mm + 3000 x 510 x 200 mm
Antenna height	6040 mm
Distance dipole/mast	370 mm

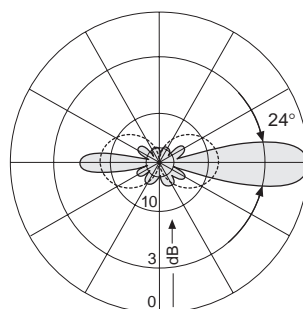
- Material:** Hot dip galvanized steel.
All screws and nuts: Stainless steel.
- Mounting:** Flange 210 mm OD for mounting on a flanged supporting pipe (see mounting instruction).
- Grounding:** The antenna is DC grounded by a cross-section of 798 mm² hot dip galvanized steel.
- Scope of supply:** Antenna with neoprene O-ring at the flange, but without mounting hardware.



Radiation Pattern (at mid-band)



Horizontal Pattern



Vertical Pattern

Mounting Instruction

Offset Pattern High Gain Antenna

K 55 32 31

