

Omnidirectional Antenna

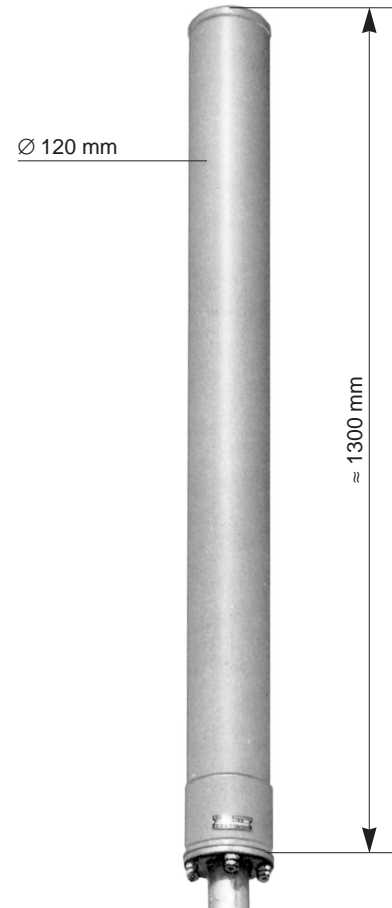
108 – 152 MHz

K 55 21 31

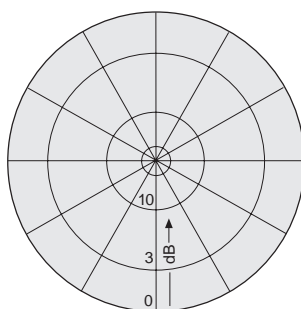
Broadband omnidirectional antenna in fiberglass radome

Type No.	K 55 21 31
Input	N female connector in the antenna base
Connector position	Bottom
Frequency range	108 – 152 MHz
Bandwidth	44 MHz
VSWR	< 2.0
Gain	0 dB (ref. to the half wave dipole)
Impedance	50 Ω
Polarization	Vertical
Max. power	110 Watt (at 50 °C ambient temperature)
Weight	5.2 kg
Radome diameter	120 mm
Wind load	120 N (at 160 km/h)
Max. wind velocity	200 km/h (incl. 1/2" radial ice)
Packing size	650 x 130 x 100 mm
Height	appr. 1300 mm

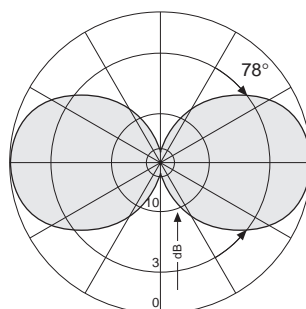
- Material:** Aluminum radiator in fiberglass radome.
Colour: Grey RAL 7001.
Hot dip galvanized steel bottom.
All screws and nuts: Stainless steel.
- Mounting:** By means of 4 studs M 12 to flange 130 mm Ø.
- Grounding:** The antenna is DC grounded by a cross section of 26 mm² aluminum.
- Scope of supply:** Antenna including 1 neoprene O-ring and 4 mounting studs, each with 2 nuts and 1 washer.



Radiation Pattern (at mid-band)



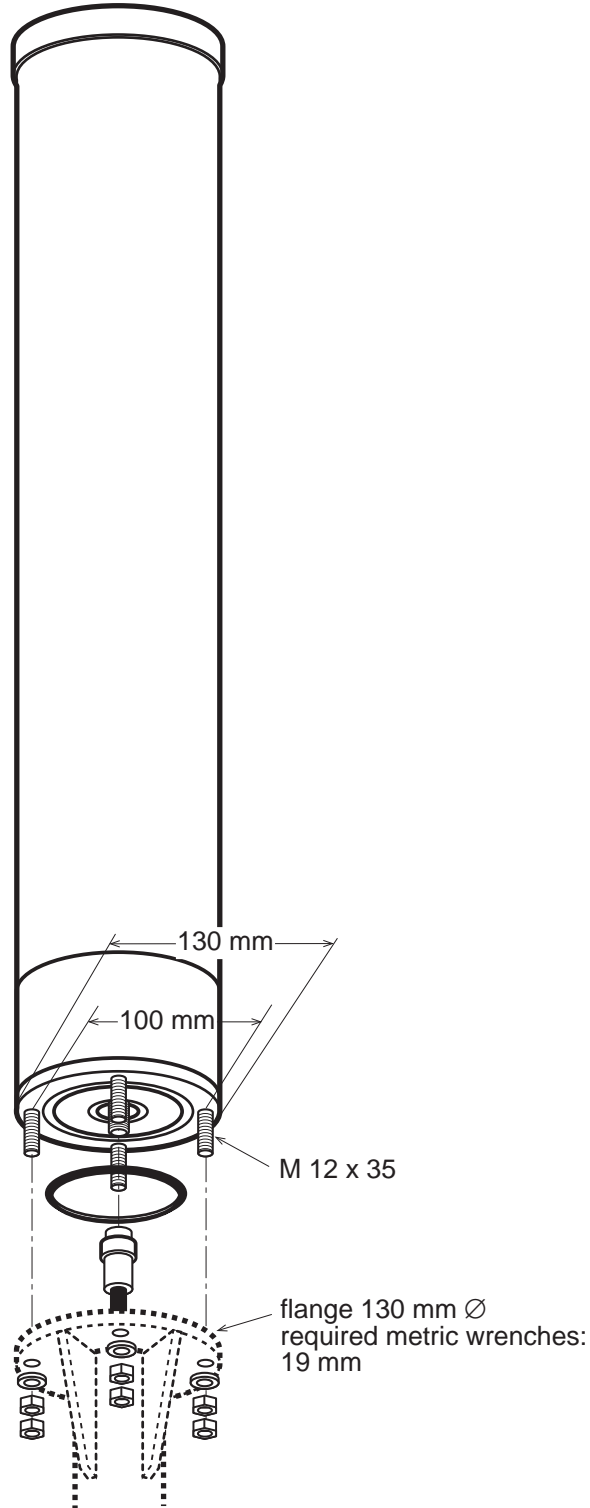
Horizontal Pattern



Vertical Pattern

Mounting Instruction Omnidirectional Antenna K 55 21 31

KATHREIN
Antennen · Electronic



9985.580/0898/0.5/ZW/HA Subject to alteration.