

# Filter Receiver Combiner for narrow frequency spacing 118 ... 144 MHz

The Rx combiner enables two receivers to be combined to one common antenna output.

The Rx combiner consists of two 1 pole band-pass filters per channel.

The band-pass filter is designed as a temperature stabilized  $\lambda/4$  coaxial resonator.

The inputs of the filters are connected via pre-defined cable lengths onto a common starpoint. This starpoint then forms the input of the combiner.

### Tuning:

The band-passes must be tuned to the individual operating channels. Upon request this tuning may be performed at our factory (in this case please state the operating channels when ordering) or it may be undertaken on site.



793 094

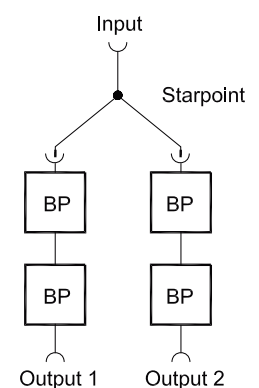
### Technical Data

The insertion loss and isolation values apply to the minimum frequency spacing.

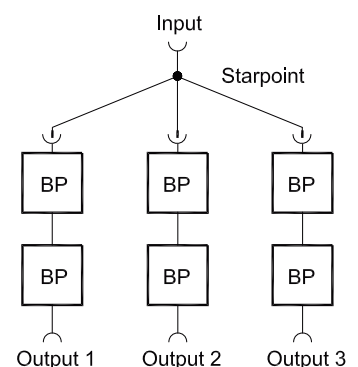
Type No.	793 094	791 211
Outputs	2	3
Frequency range	118 ... 144 MHz (tunable)	
Min. frequency spacing	100 kHz	
Insertion loss	< 4.5 dB	
Isolation	> 18 dB	
VSWR	< 1.25	
Impedance	50 $\Omega$	
Temperatur range	0 ... + 50 °C	
Connectors	N female	
Material	Outer conductor: Aluminum Inner conductor: Brass, silver plated	
Colour of front plate	Grey	
Weight	62 kg	88 kg
Dimensions	19" drawer (22 hu* = 977 mm, depth: 380 mm)	19" drawer (22 hu* = 977 mm, depth: 570 mm)

\* hu = height unit

936.A2528 Subject to alteration.



793 094



791 211