

Filter Receiver Combiner with 2, 3, 4, 5 or 6 outputs 118 ... 144 MHz

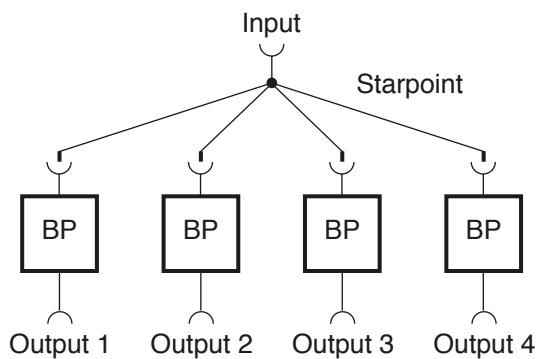
The Rx combiner enables several receivers to be combined to one common antenna in-put.

The Rx combiner consists of one 1-pole band-pass filter per channel.

The inputs of the filters are connected via pre-defined cable lengths onto a common starpoint. This starpoint then forms the input of the combiner.

Tuning:

The bandpasses must be tuned to the individual operating channels. Upon request this tuning may be performed at our factory (in this case please state the operating channels when ordering) or it may be undertaken on site.



Rx combiner 791 859

BP: Band-pass filter



791 859

Technical Data

The insertion loss and isolation values apply to the minimum frequency spacing.

Type No.	Outputs	Dimensions 19" drawer		Weight
		Height	Depth	
792 318	2	22 hu* / 977 mm	190 mm	36 kg
791 857	3	22 hu* / 977 mm	380 mm	49 kg
791 859	4	22 hu* / 977 mm	380 mm	62 kg
792 329	5	22 hu* / 977 mm	570 mm	75 kg
792 330	6	22 hu* / 977 mm	570 mm	88 kg
Frequency range		118 ... 144 MHz (tunable)		
Min. frequency spacing		200 kHz		
Insertion loss		≤ 2.5 dB		
Isolation		≥ 18 dB		
VSWR		< 1.5		
Impedance		50 Ω		
Temperature range		0 ... + 50 °C		
Connection		N female		
Material		Outer conductor: Aluminum Inner conductor: Brass, silver plated		
Color		Front plate: Grey		

* hu = height unit

936.A2515 Subject to alteration.