

# Indoor Omnidirectional Antennas

## 406 – 430 MHz, 450 – 470 MHz

### 737 299, 736 831

- The antenna does not require any additional groundplane.

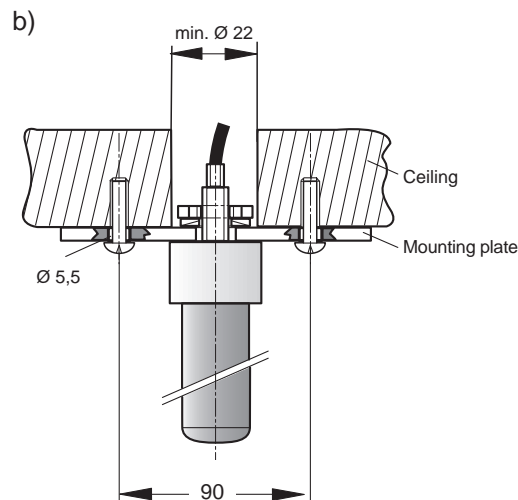
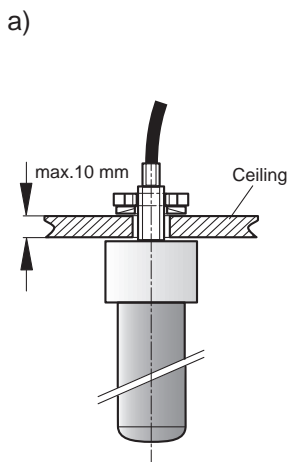
#### Indoor 450 360° 2dBi

Type No.	737 299	736 831
Input	Cable RG 58/CU of 1 m length, grey, connector is not supplied	
Frequency range	406 – 430 MHz	450 – 470 MHz
VSWR	< 1.5	
Gain	2 dBi	
Impedance	50 Ω	
Polarization	Vertical	
Max. power	50 Watt (at 50 °C ambient temperature)	
Weight	0.25 kg	0.23 kg
Mounting plate	115 x 25 mm	
Packing size	Foil: 650 x 130 mm	
Height/Radome diameter	400 / 20 mm	360 / 20 mm

Material: Dipole: Brass.  
Radome: Fiberglass, colour: White.  
Additional mounting plate: Aluminum.

Mounting: a) Single-hole mounting (12 mm diameter) on surface of up to 10 mm thickness.  
b) On surfaces of more than 10 mm thickness, by means of mounting plate included in the scope of delivery.

Grounding: All metal parts of the antenna including the inner conductor are DC grounded.



936.752 Subject to alteration.