

Glide Path Antenna

328 – 335.5 MHz

713 316 B

RF monitor system integrated

Type No.	713 316 B
Input	Type N female connector
Frequency range	328 – 335.5 MHz
VSWR	< 1.1
Gain	12 dBd
Impedance	50 Ω
Polarization	Horizontal
Half-power beam width	H-plane: 80°/ E-plane: 25°
Max. power input (CW)	60 Watt (at 50 °C ambient temperature)
Max. current (DC)	1 A (between inner and outer conductor)
Weight	19 kg
Max. exp. area	1.0 m ²
Lateral thrust	1450 N at 160 km/h
Max. wind velocity	200 km/h (incl. 1/2" radial ice)
Width/height/depth	2000 / 500 / 190 mm
Packing size	2100 x 510 x 260 mm



Material: Dipole system: Cast aluminum.
Reflector: Weatherproof aluminum.
Radome: Fiberglass (white).
All screws and nuts: Stainless steel.

Scope of supply: Antenna with two weather protective rubber caps for the connectors, but without mounting hardware.

Mounting hardware:

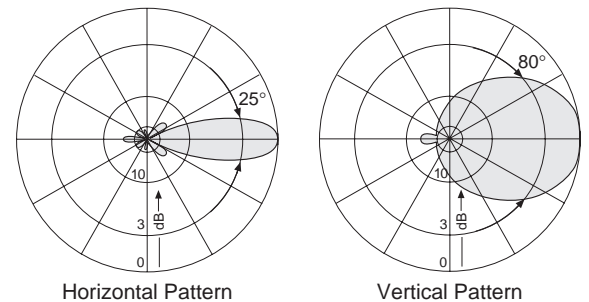
Type No.	Mast diameter
K 61 32 4	60 – 115 mm
K 61 32 41	115 – 200 mm

Lightning protection: The antenna is DC grounded including the inner conductors.



RF monitor system	
Input	Type N female connector
Frequency range	328 – 335.5 MHz
VSWR	< 1.3
Coupling attenuation	31 ± 1 dB

Radiation Pattern (at mid-band)



Mounting Instruction

Glide Path Antenna

713 316 B

