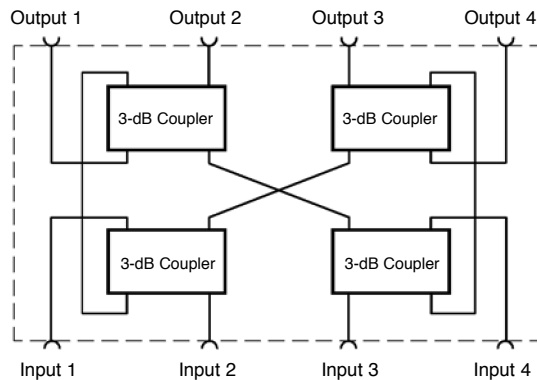


Hybrid Combiner 4:4 800 – 2200 MHz

- Designed for the decoupled combining of 4 transmitter or receiver signals and distributing these signals evenly onto 4 antenna outputs.



Technical Data

Type No.	782 10203
Frequency range	800 – 2200 MHz
Power distribution loss (including insertion loss) Input 1...4 ↔ Output 1...4	< 6.5 ±2 dB
Insertion Loss	< 0.5 dB
Isolation Input 1...4 ↔ Input 1...4	> 20 dB
Output 1...4 ↔ Output 1...4	> 20 dB
VSWR (all ports)	< 1.3*
Impedance	50 Ω
Input power	< 150 W at each port
Intermodulation products	< -155 dBc (3 rd order; with 2 x 20 W)
Temperature range	-40 ... +60 °C
Connectors	7-16 female
Application	Indoor
Mounting	Wall mounting: With 4 screws (max. 8 mm diameter)
Dimensions (w x h x d)	360 mm x 180 mm x 216 mm

* Valid if all ports are terminated with 50-Ω loads.

Note:

The use of fewer than 4 inputs or outputs is possible. Any unused input ports have to be terminated with low-power 50-Ohm loads (e.g. Kathrein type 784 10367), unused output ports have to be terminated with high-power 50-Ohm loads (e.g. Kathrein low-intermodulation type 782 10474).

Hybrid Combiner 4:4

800 – 2200 MHz

