

# Dual-Band Combiner

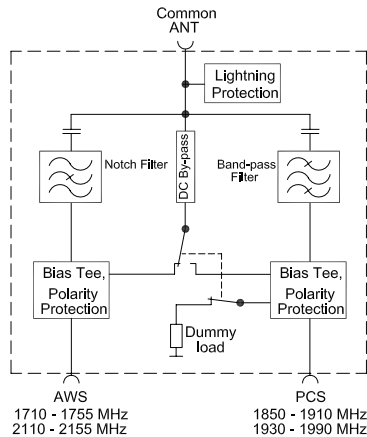
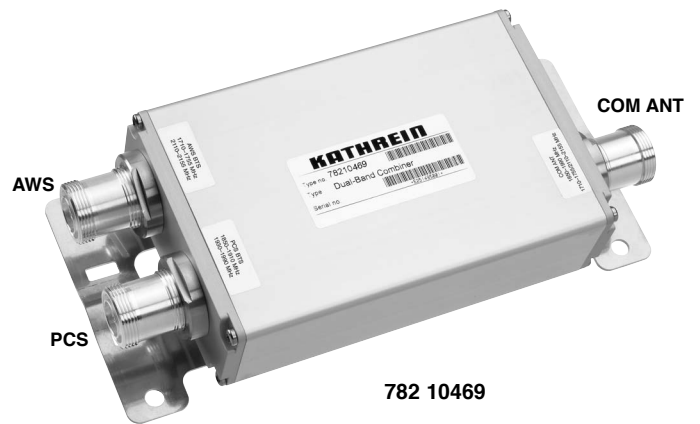
**KATHREIN**

Antennen · Electronic

**1850 – 1910 / 1930 – 1990 MHz**  
PCS

**1710 – 1755 / 2110 – 2155 MHz**  
AWS

- Designed for co-siting purposes
- Enables feeder sharing
- Suitable for indoor or outdoor applications
- With fault detection and integrated switch for multiple DC power supply



## Typical Attenuation Curves

Diagram I

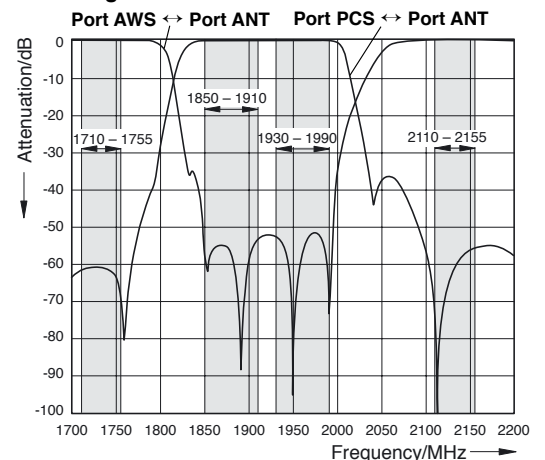
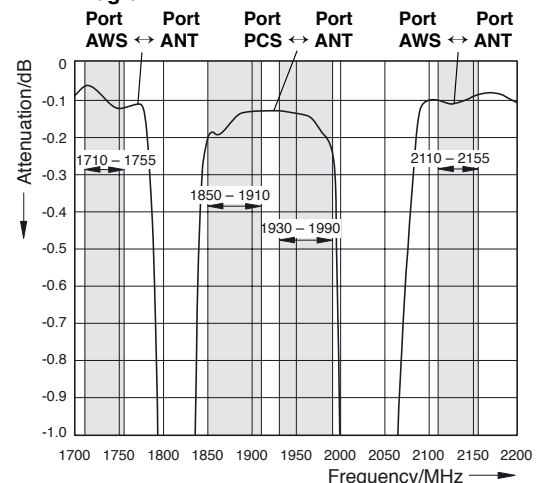


Diagram II



## Technical Data

Type No.	782 10469 Single unit	782 10808 Double unit
Pass band PCS AWS	1850 – 1910 (Rx) / 1930 – 1990 (Tx) MHz 1710 – 1755 (Rx) / 2110 – 2155 (Tx) MHz	
Insertion loss Port PCS ↔ Port ANT Port AWS ↔ Port ANT	< 0.3 dB (1850 – 1910 / 1930 – 1990 MHz) < 0.2 dB (1710 – 1755 / 2110 – 2155 MHz)	
Isolation Port PCS ↔ Port AWS	> 50 dB (1850 – 1910 / 1930 – 1990 MHz) > 50 dB (1710 – 1755 / 2110 – 2155 MHz)	
VSWR	< 1.25 (1850 – 1910 / 1930 – 1990 MHz) < 1.25 (1710 – 1755 / 2110 – 2155 MHz)	
Impedance	50 Ω	
Input power Port PCS Port AWS	< 250 W (1850 – 1910 / 1930 – 1990 MHz) < 250 W (1710 – 1755 / 2110 – 2155 MHz)	
Intermodulation products	< -160 dBc (3 <sup>rd</sup> order; with 2 x 20 W)	
Power supply voltage operational survival	+10 ... +15 V DC (Port PCS) +10 ... +30 V DC (Port AWS) +10 ... +35 V DC	
Polarity protection	-48 V DC (Port PCS, Port AWS)	
Max. Current	1.5 A (Port ANT)	
Power supply current at PCS port operating with dummy load	100 mA ±20mA (+10 ... +15 V DC)	
Lightning protection	8/20 μs, 20 kA; 10/350 μs, 3 kA (Port ANT)	
Temperature range	-40 ... +65 °C	
Connectors	7-16 female (long neck)	
Application	Indoor or outdoor (IP 66)	
Weight	2.5 kg	5 kg
Dimensions (w x h x d)	122 x 296 x 64 mm	122 x 296 x 120 mm (including mounting brackets)

936.3232 Subject to alteration.

# Dual-Band Combiner

# KATHREIN

Antennen · Electronic

1850 – 1910 / 1930 – 1990 MHz  
PCS

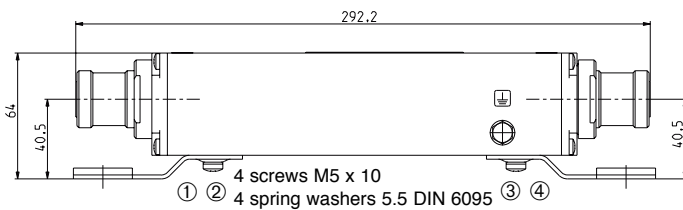
1710 – 1755 / 2110 – 2155 MHz  
AWS

## Accessories (order separately)

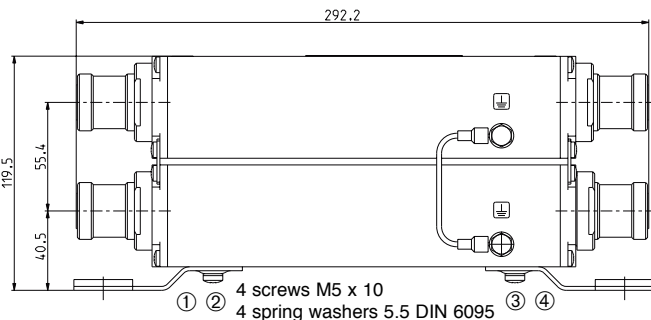
Type No.	Clamp set suitable for mast diameter of
734 360	34 – 60 mm
734 361	60 – 80 mm
734 362	80 – 100 mm
734 363	100 – 120 mm
734 364	120 – 140 mm
<b>734 365</b>	<b>45 – 125 mm</b>



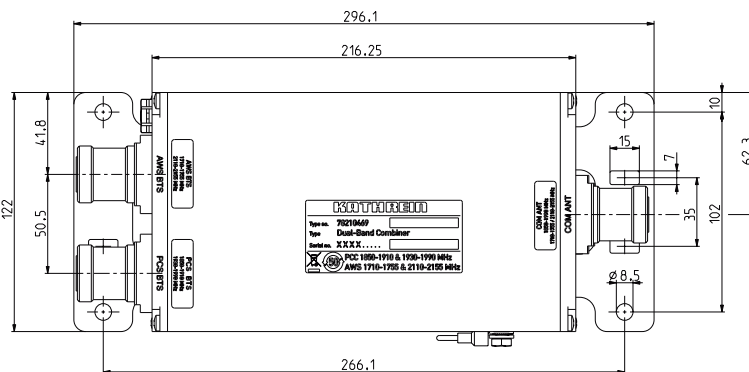
Type No.	Description
793 301	DC stop



Side view  
782 10469  
Single Unit



Side view  
782 10808  
Double Unit



Top view  
782 10469 Single Unit,  
782 10808 Double Unit

### Please note:

The mounting plates can be removed by loosening the screws ① to ④ (M5 x 10) and replaced with other means of mounting, always provided that the max. drilled depth of 8.5 mm is respected with the choice of replacement screws.

**As a result of more stringent legal regulations and judgements regarding product liability, we are obliged to point out certain risks that may arise when products are used under extraordinary operating conditions.**

Extraordinary operating conditions, such as heavy icing or exceptional dynamic stress (e.g. strain caused by oscillating support structures), may result in the breakage of a mast mounted device or even cause it to fall to the ground.

These facts must be considered during the site planning process.

The Dual-band Combiners are designed to operate under the environmental conditions as described in ETS 300 019-1-4 class 4.1 E and have passed environmental tests as recommended in ETS 300 019-2-4.

**The installation team must be properly qualified and also be familiar with the relevant national safety regulations.**

**The details given in our data sheets have to be followed carefully when installing the antennas, filters, combiners, amplifiers and accessories.**

**The limits for the coupling torque of RF connectors, recommended by the connector manufacturers must be obeyed.**

**Any previous datasheet issues have now become invalid.**

