

DTMA-UMTS-12-AISG-CWA

Fullband Double Dual Duplex Tower Mounted Amplifier (Masthead Amplifier)

KATHREIN

Antennen · Electronic



- Double units for easy use with XPol antennas
- Both versions support CWA, AISG 1.1 and AISG 2.0
782 10153 default setting: AISG 1.1
782 10154 default setting: AISG 2.0
- AISG setting switchable as described on page 2
- CWA and AISG configurations as described on page 2
- Suitable for antenna RET control according to AISG/3GPP standard
- By-pass mode to ensure cell operation in case of DC power down
- Built-in lightning protection

RET = Remote Electrical Tilt

AISG = Antenna Interface Standards Group

CWA = Current Window Alarm



Technical Data

Type No.	Default setting AISG 1.1	782 10153 DTMA-UMTS-12-AISG-CWA (12 dB gain)
	Default setting AISG 2.0	782 10154 DTMA-UMTS-12-AISG-CWA (12 dB gain)

Tx Characteristics

Frequency range	2110 – 2170 MHz
Insertion loss	Typ. 0.3 dB
Ripple	< 0.1 dB
Input power (per input)	< 100 W (+50 dBm) CW / < 1.6 kW (+62 dBm) peak
Intermodulation products in Rx band	< -117 dBm (2 Tx carriers at +43 dBm)
Return loss	> 18 dB

Rx Characteristics

Frequency range	1920 – 1980 MHz
Loss in by-pass mode	< 2.5 dB (DC OFF)
Return loss	> 18 dB (DC ON) / > 12 dB (DC OFF)
Gain	12 ±0.5 dB (+22 ... +28 °C) / 12 ±1.0 dB (-40 ... +65 °C)
Gain ripple	< ±0.3 dB
Noise figure	< 1.6 dB (25 °C) / < 2.0 dB (60 °C)
Output 1-dB compression point	> 15 dBm
3rd order intercept point (OIP3)	> 25 dBm

Environmental Characteristics

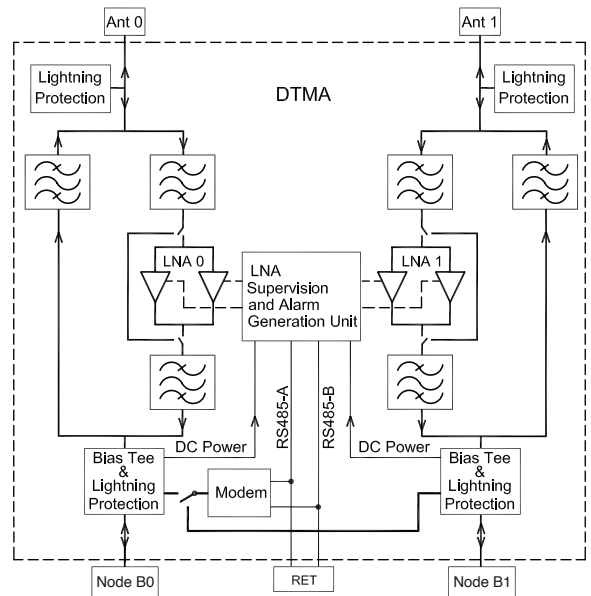
Operating temperature range	-40 ... +65 °C
IP rating	IP67 (see note on page 2)
MTBF	> 1 000 000 hours (per TMA)
EMC	According to ETS 300 342-3

DC and Alarm Characteristics

	CWA Mode	AISG Mode
DC supply	9 – 15 V	9 – 30 V
Operating current per TMA (without RET)	80 – 145 mA	Nom. 115 mA at 9 V Nom. 40 mA at 30 V
Alarm management	170 – 200 mA	AISG (see note on page 2)

Mechanical Characteristics

Material	Aluminium housing
Connectors	RF: 7-16 female (long neck) AISG: 8-pin female, IEC 60130-9 (Pin 3: RS485B, pin 5: RS485A, pin 6: 9 – 30 V DC, pin 7: DC return, other pins: not connected)
Mounting	Wall mounting: with 4 screws (max. 8 mm diameter) Mast mounting: with additional clamp set
Weight	5 kg
Packing size	262 x 502 x 214 mm
Dimensions (w x h x d)	166 x 262 x 77.5 mm (without connectors, without mounting brackets)



Accessories (order separately)

Type No.	Clamp set suitable for mast diameter of
734 360	34 – 60 mm
734 361	60 – 80 mm
734 362	80 – 100 mm
734 363	100 – 120 mm
734 364	120 – 140 mm
734 365	45 – 125 mm



936.3124/d Subject to alteration.

DTMA-UMTS-12-AISG-CWA

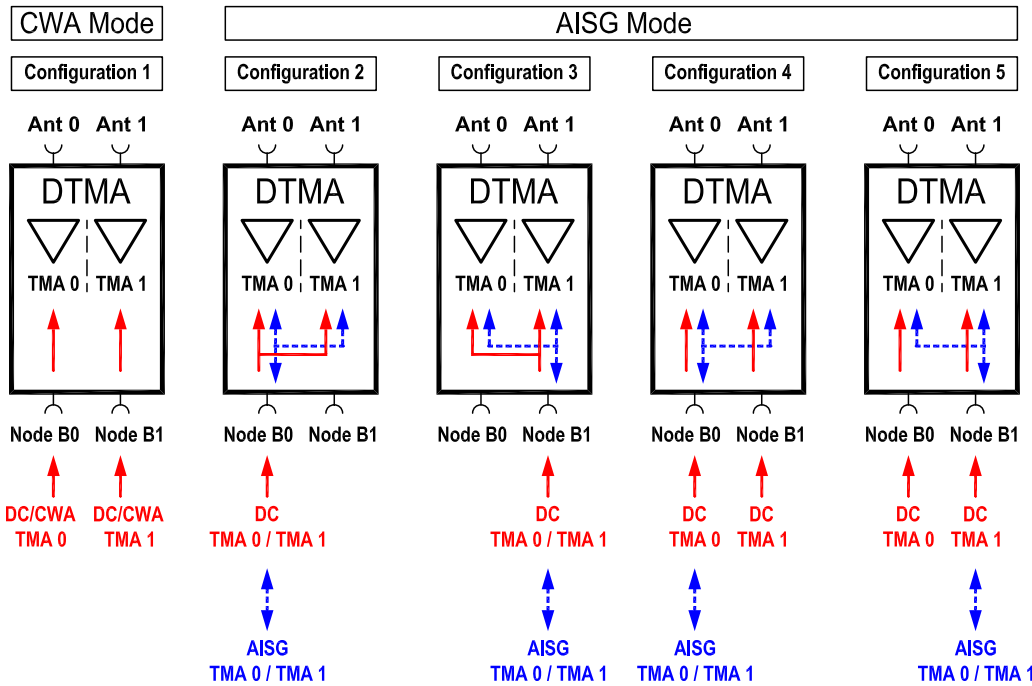
Fullband Double Dual Duplex Tower Mounted Amplifier (Masthead Amplifier)

KATHREIN

Antennen · Electronic

DC Supply, Current Window Alarm and AISG Configuration

(automatically chosen by the DTMA depending on incoming signals)



Mounting Instructions

The coupling torque at 7-16 connectors is 25 – 30 Nm!

The tightening torque for fixing the AISG connector must be 0.5 – 1.0 Nm ('hand-tightened').

It is recommended to install the DTMA's with the antenna connectors pointing upwards and the BTS connectors pointing downwards.

In case of DTMA's with RET connectors (Remote Electrical Tilt connectors according to AISG Standard) it is **recommended** to mount the DTMA's in such a way that the RET-connector **always points downwards!** A downward slanted mounting position between the vertical and horizontal plane is also allowed.

AISG Setting

The protocol of the software interface can be switched between AISG 2.0 / 3GPP and AISG 1.1 and vice versa with a vendor specific command (depending on default setting). If the primary station does not support the default setting, it has to be switched over before system start-up. Please contact Kathrein for further information.

Please note

The DTMA is not designed for permanent operation under water. Test conditions for the IP67 rating: submerge depth: 1 m; submerge time 24 hours

As a result of more stringent legal regulations and judgements regarding product liability, we are obliged to point out certain risks that may arise when products are used under extraordinary operating conditions.

Extraordinary operating conditions, such as heavy icing or exceptional dynamic stress (e.g. strain caused by oscillating support structures), may result in the breakage of a mast mounted device or even cause it to fall to the ground.

KATHREIN tower mounted amplifiers are designed to operate under the environmental conditions as described in ETS 300 019-1-4 class 4.1E and have passed environmental tests as specified in ETS 300 019-2-4. The homogenous design of KATHREIN's tower mounted amplifiers use identical modules and materials. Extensive tests have been performed on typical samples and models.

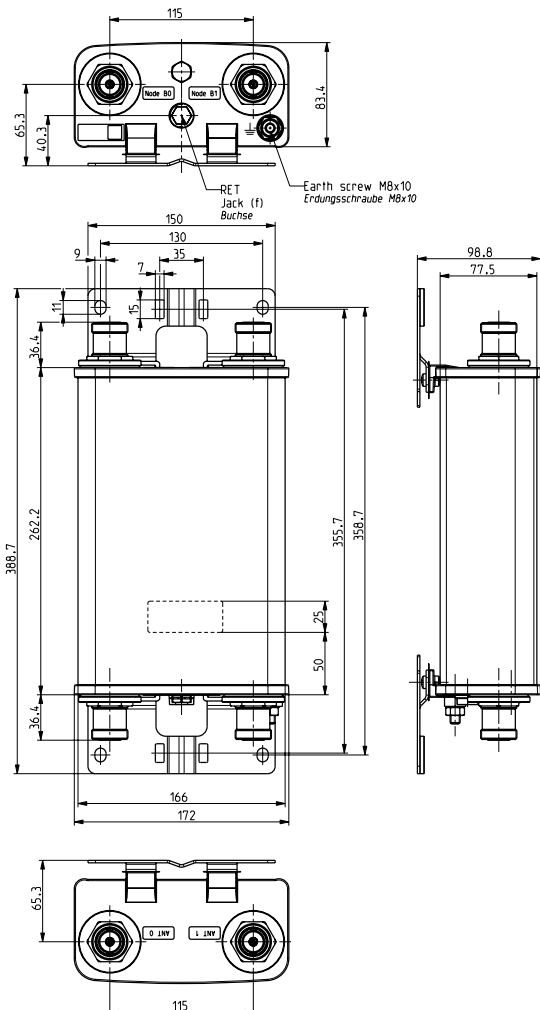
The installation team must be properly qualified and also be familiar with the relevant national safety regulations.



The details given on our data sheets have to be followed carefully when installing the antennas, filters, combiners, amplifiers and accessories.

The limits for the coupling torque of RF connectors, recommended by the connector manufacturers must be obeyed.

Any previous datasheet issues have now become invalid.



936.3124/d Subject to alteration.