

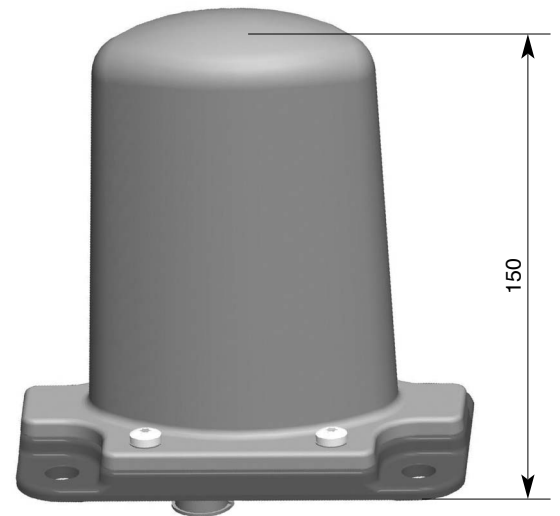
Train Antenna

430 – 470 MHz and 870 – 960 MHz

870 10009

- Two-band Antenna: 430 – 470 MHz / 870 – 960 MHz
- Low profile antenna in fiberglass radome.
- The antenna fulfils the requirements according to EN 50155.

Type No.	870 10009
Antenna two-band	
Input	N female
Frequency range	430 – 470 MHz 870 – 960 MHz
VSWR	< 1.5
Gain	0 dB (ref. to the quarter-wave antenna)
Impedance	50 Ω
Polarization	Vertical
Max. power	100 W (at 50° C ambient temperature)
Inner conductor	D.C. grounded
Weight	Approx. 0.5 kg
Packing size, L x W x H	150 x 90 x 190 mm
Height	150 mm

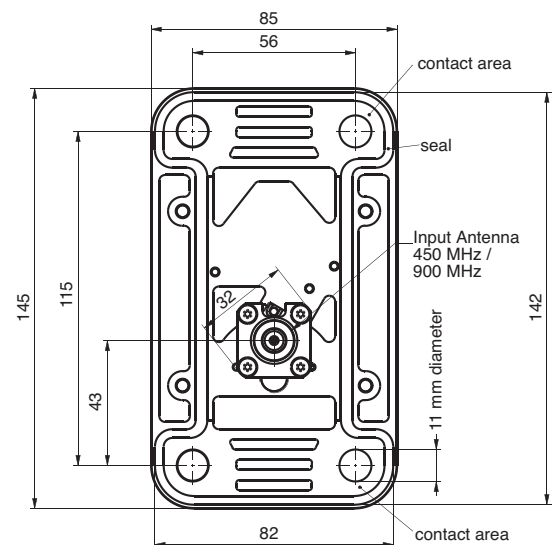


Material: Radiator: Copper and brass.
Flange: Aluminum. Radome: Fiberglass.
All screws and nuts: Stainless steel.
Colour: Grey.

Mounting: On a conductive surface with a minimum size of 1000 mm x 1000 mm using 4 M10 bolts.

Grounding and high voltage protection: This antenna, tested by an independent institute and approved by the "Deutsche Bahn AG", is D.C. grounded to protect against lightning and high-tension lines.

Mounting flange:

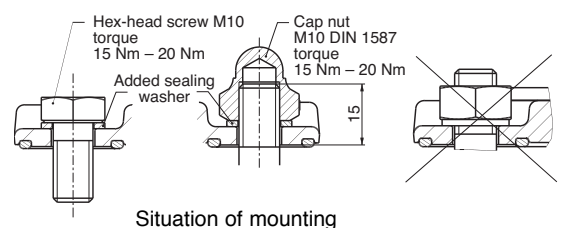


Mounting hole for the connector: 33 mm (max. 35 mm)

Note: Mounting surface must be free from paint for electrical contact.

Evenness of opposite surface 0.2 mm.

Use a cap nut or hex-head screw plus the enclosed sealing washer.



Situation of mounting