

Hybrid Transmitter Combiner 118 – 144 MHz

The hybrid transmitter combiner allows two or more transmitters to be combined to a common output.

Special features:

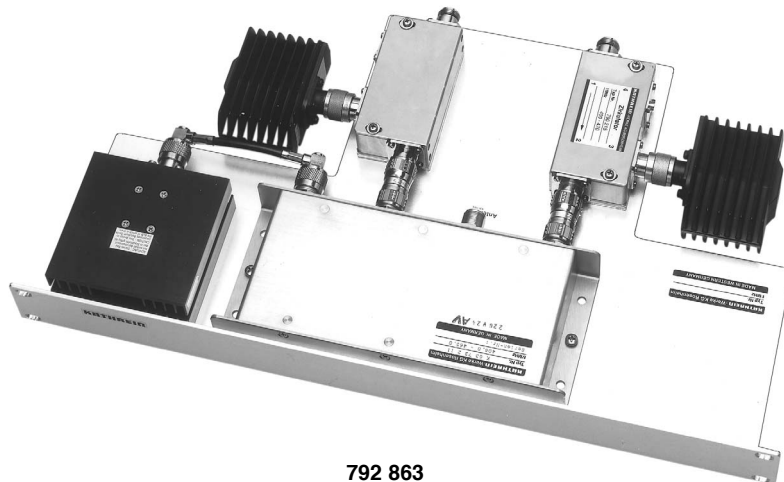
- very small spacing of the transmitting frequencies, down to adjacent channel spacing,
- variable transmitter frequencies,
- small dimensions.

Design:

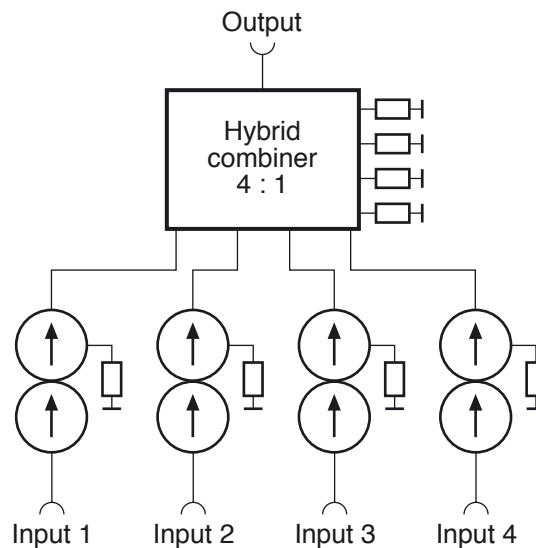
The hybrid transmitter combiner has two, three or four inputs and one output. For combining transmitters a hybrid ring junction or a decoupled power splitter is used as hybrid, depending on the number of inputs. In every transmitting path a wide band dual circulator is inserted, which causes very high isolation. This effectively suppresses intermodulation products. The absorbers are dimensioned for a possibility occurring total reflection at the output.

Custom versions:

- Custom versions are available on request:
- with a band-pass filter at the output,
 - without circulators.



792 863



Hybrid transmitter combiner 792 871

Technical Data

Type No.	Inputs	Insertion loss	Dimensions 19" drawer		Input power per input
			height	plug-in depth	
792 863	2	< 4.6 dB	1 hu* = 45 mm	320 mm	25 W
792 865	2	< 4.6 dB	4 hu* = 177 mm	450 mm	100 W
792 868	3	< 6.8 dB	4 hu* = 177 mm	450 mm	100 W
792 871	4	< 7.9 dB	4 hu* = 177 mm	450 mm	100 W
Frequency range			118 – 144 MHz		
Min. frequency spacing			0 MHz		
Isolation			> 62 dB		
VSWR			< 1.25		
Impedance			50 Ω		
Connectors			N female		
Colour			Front panel: Grey		

* hu = height unit

936.2875/c Subject to alteration.