

Omnidirectional Antenna

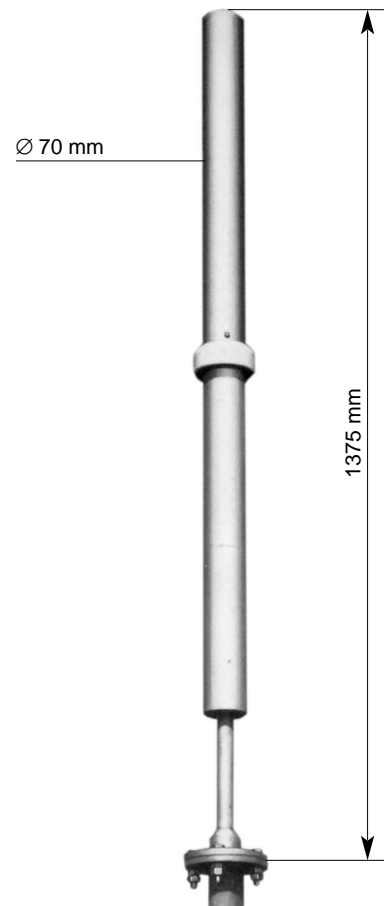
118 – 137 MHz

K 55 20 31

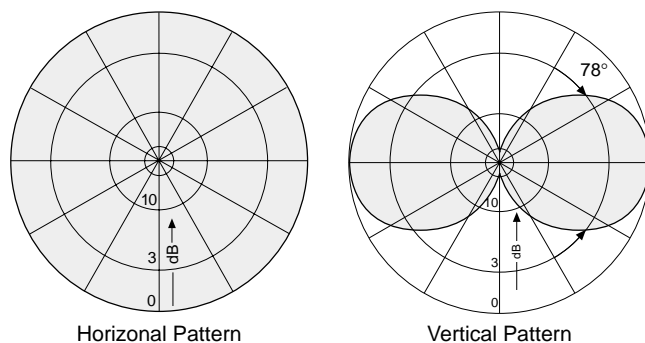
Broadband omnidirectional antenna Hot dip galvanized steel

Type No.	K 55 20 31
Input	N female connector in the antenna base
Connector position	Bottom
Frequency range	118 – 137 MHz
Bandwidth	19 MHz
VSWR	< 2.0
Gain	0 dB (ref. to the half wave dipole)
Impedance	50 Ω
Polarization	Vertical
Max. power	1000 Watt (at 50 °C ambient temperature)
Weight	6.6 kg
Radiator diameter	70 mm
Wind load	125 N (at 160 km/h)
Max. wind velocity	200 km/h (incl. 1/2" radial ice)
Packing size	1390 x 140 x 140 mm
Height	1375 mm

- Material:** Hot dip galvanized steel pipes and mounts.
All screws and nuts: Stainless steel.
- Mounting:** Flange 130 mm OD for mounting on a flanged supporting pipe (see mounting instruction).
- Grounding:** The antenna is DC grounded by a cross section of 218 mm² hot dip galvanized steel.
- Scope of supply:** Antenna with neoprene O-ring at the flange, but without mounting hardware.



Radiation Pattern (at mid-band)



936.2132 Subject to alteration.

Mounting Instruction
Omnidirectional Antenna
K 55 20 31

