

Directional Antenna

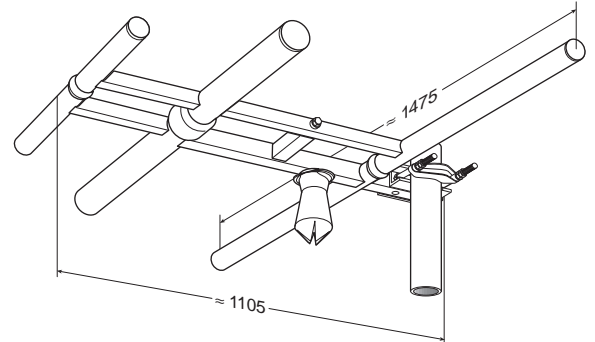
108 – 118 MHz

711 329

Localizer-Monitor

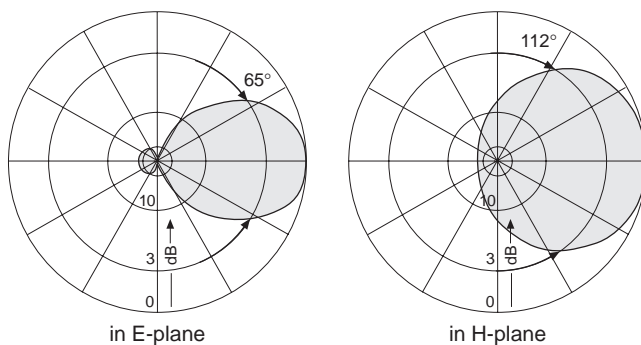
3-element broadband-yagi, 5 dB gain

Type No.	711 329
Input	N female
Frequency range	108 – 118 MHz
VSWR	< 1.3
Gain	5 dB (ref. to the half wave dipole)
Impedance	50 Ω
Polarization	Horizontal
Front-to-back ratio	> 15 dB
Max. Power	300 Watt (at 50 °C ambient temperature)
Weight	10 kg
Wind load	220 N (at 150 km/h)
Max. wind velocity	150 km/h
Packing size	1525 x 1190 x 92 mm



- Material:** Hot dip galvanized steel.
All screws and nuts: Stainless steel.
- Mounting:** To pipes of 60 – 125 mm diameter by means of hot dip galvanized steel clamp, supplied.
- Lightning protection:** All metal parts of this antenna are DC grounded.

Radiation Pattern (at mid-band)



936.1719 Subject to alteration.