

Band-stop Filter (AMPS/CDMA) Suppression Filter

885.0 – 890.0 MHz, 891.5 – 896.5 MHz,
890.4 – 893.6 MHz, 890.0 – 894.0 MHz, 883.0 – 888.0 MHz

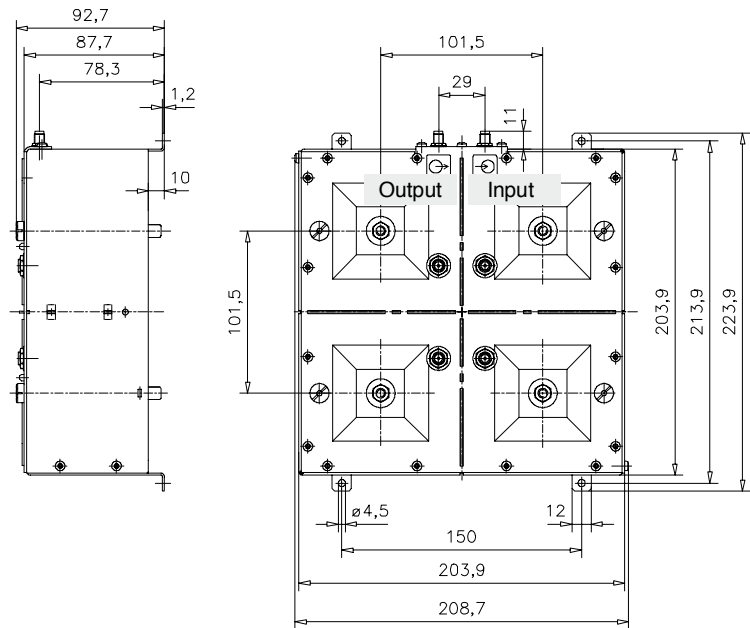
The Band-stop Filter is suitable for suppressing interfering signals in the GSM receiving band which are generated as a result of simultaneously operating AMPS transmitting frequencies. By using the Band-stop Filter (together with an existing band-pass filter) almost the full GSM receiving bandwidth can be used with the exception of a narrow transition gap.

Design and construction:

The Band-stop Filter is made up of 4 high Q ceramic resonators.

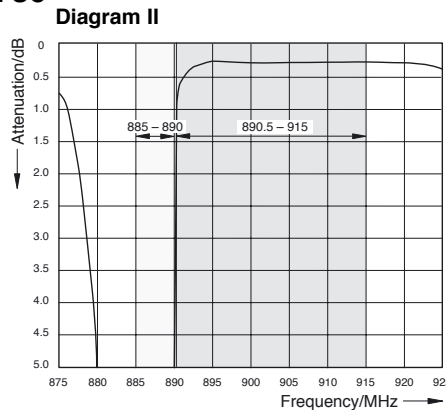
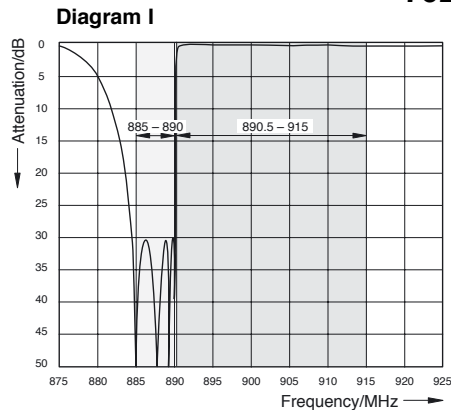
Filter characteristics:

Broad pass band range with low insertion loss for the GSM receiving band, very steep filter curve with high attenuation of the upper part of the AMPS transmitting band.



Typical Attenuation Curves

792 789



Technical Data

Type No.	792 789	792 790	792 791	792 792	793 131
Pass band	890.5 – 915.0 MHz	897.0 – 915.0 MHz	894.5 – 915.0 MHz	894.5 – 915.0 MHz	890.0 – 915.0 MHz
Insertion loss (dB)	< 1.2 (890.5–891.0 MHz)	< 1.3 (897.0–897.6 MHz)	< 0.6 (894.5–915.0 MHz)	< 1.3 (894.5–895.1 MHz)	< 0.5 (890.0–915.0 MHz)
	< 0.5 (891.0–915.0 MHz)	< 0.6 (897.6–915.0 MHz)		< 0.6 (895.1–915.0 MHz)	
Stop band	885.0 – 890.0 MHz	891.5 – 896.5 MHz	890.4 – 893.6 MHz	890.0 – 894.0 MHz	883.0 – 888.0 MHz
Stop band attenuation	> 30 dB	> 30 dB	> 30 dB	> 30 dB	> 35 dB
VSWR	< 1.3				
Impedance	50 Ω				
Input power	< 25 W				
Temperature range	–20 ... +55 °C				
Connectors	SMA female				
Application	Indoor				
Mounting	With 4 screws (max. 4 mm diameter)				
Weight	3.7 kg				
Packing size	262 mm x 144 mm x 262 mm				
Dimensions (w x h x d)	209 mm x 93 mm x 224 mm (including connectors and mounting feet)				

936.1654/e Subject to alteration.

Band-stop Filter (AMPS/CDMA) Suppression Filter

885.0 – 890.0 MHz, 891.5 – 896.5 MHz,
890.4 – 893.6 MHz, 890.0 – 894.0 MHz, 883.0 – 888.0 MHz

Typical Attenuation Curves

