

# Directional Antenna

## 108 – 137 MHz

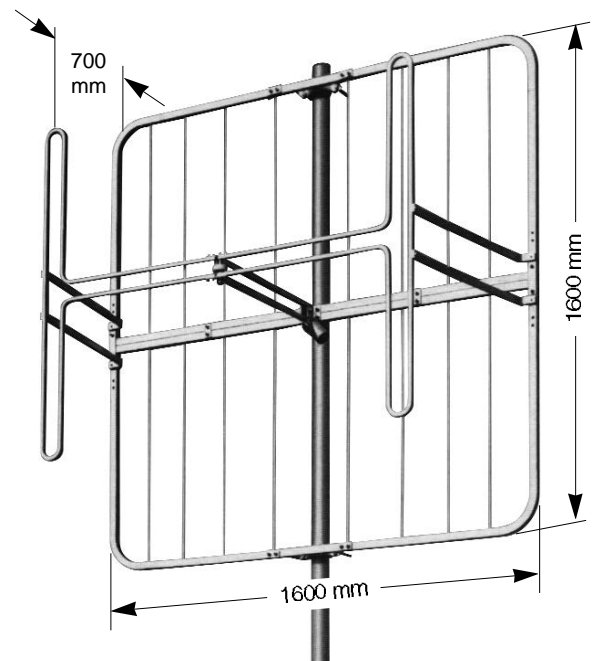
### K 52 31 3.

**Broadband 7 dB directional antenna, weatherresistant aluminum.**

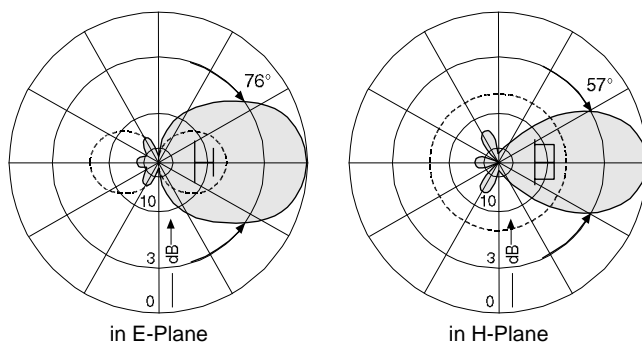
Type No.	K 52 31 31	K 52 31 37
Input	N female connector in a weather protective housing	7-16 female
Frequency range	108 – 137 MHz	
VSWR	< 1.4	
Gain (ref. to $\lambda/2$ dipole)	7 dB	
Impedance	50 $\Omega$	
Polarization	Vertical or horizontal	
Half-power beam width	H-plane: 57°/ E-plane: 76°	
Max. power input (CW)	1550 Watt (at 35 °C ambient temperature) 880 Watt (at 50 °C ambient temperature)	
Weight	12 kg	
Lateral thrust	560 N at 160 km/h	
Max. wind velocity		
w/o ice	200 km/h	
1/2" radial ice	120 km/h	
Width/height/depth	1600 / 1600 / 700 mm	
Packing size	1620 x 850 x 200 mm	



- Material:** Reflector screen and dipoles: Heavy duty alodined aluminum.  
Mounting clamps: Hot dip galvanized steel.  
All screws and nuts: Stainless steel.
- Scope of supply:** Antenna including mounting hardware.
- Mounting:** To masts of 60 – 115 mm OD.
- Lightning protection:** All metal parts of the antenna are DC grounded.



**Radiation Pattern (at mid-band)**



936.1057 Subject to alteration.

