

# Helix Antenna

## Right Handed Circular Polarization

### Half-power Beam Width

400–470

RHCP

33°

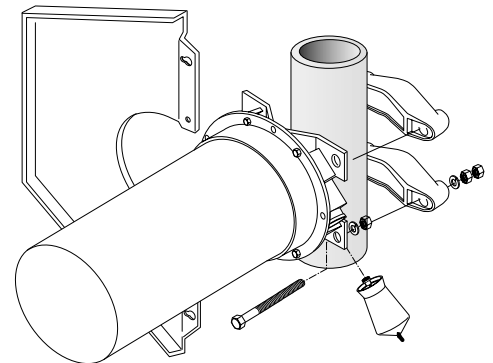
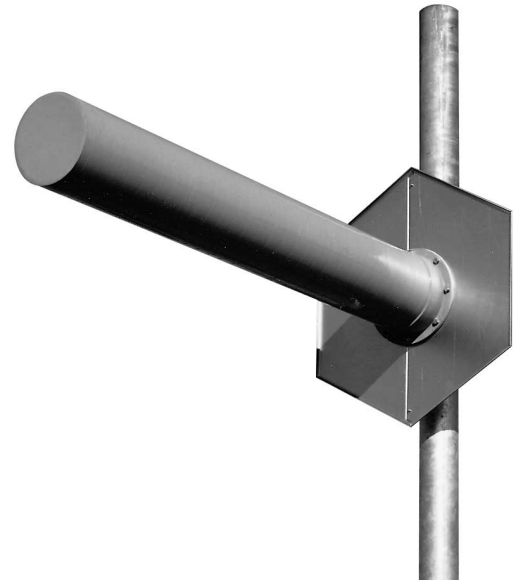
**KATHREIN**

Antennen · Electronic

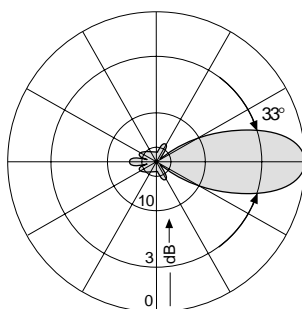
#### RHCPol Helix 400–470 33° 12dBi

|                       |  |
|-----------------------|--|
| Type No.              | <b>K 73 51 21</b>  |
| Frequency range       | 400 – 470 MHz  |
| Polarization          | Right handed circular  |
| Gain                  | 12 dBi<br>(ref. to the circularly polarized isotropic antenna) |
| Half-power beam width | 33°  |
| Impedance             | 50 Ω   |
| VSWR                  | < 1.2  |
| Max. power            | 560 W (at 50 °C ambient temperature)                           |

- Scope of supply:** Antenna with weather protective casing for straight connectors, mounting kit included.
- Material:** Antenna: Copper band helix in protective fiberglass tube, colour: Grey.  
Reflector screen: Weather-resistant aluminum.  
Attachment construction: Hot dip galvanized steel.  
All screws and nuts: Stainless steel.
- Attachment:** To tubular masts of 60 – 125 mm diameter using supplied U-bolts.
- Special features:** The reflector screen is made of two parts and can be removed for transport.
- Grounding:** All metal parts of the antenna including the mounting kit and the inner conductor are DC grounded.



Mounting Instructions



Relative field strength in mid-band

| Mechanical specifications |  |
|---------------------------|--|
| Input                     | N female   |
| Weight                    | 12 kg  |
| Wind load                 | Frontal: 450 N (at 150 km/h)<br>Lateral: 175 N (at 150 km/h) |
| Max. wind velocity        | 200 km/h   |
| Packing size              | 1684 x 388 x 277 mm  |
| Reflector diameter        | 718 mm   |
| Length / tube dia.        | 1540 / 204 mm  |

936.046/a Subject to alteration.